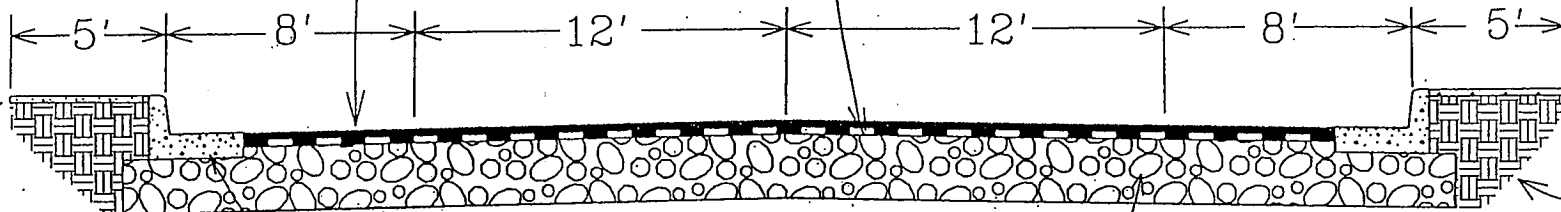


"A" Urban

O.D.O.T. Type "C"
wearing course
nominal thickness 2"

O.D.O.T. Type "C"
asphalt concrete base
course nominal thickness 2".
current Oregon Department



Native
backfill
material

See O.D.O.T.
Standard specifications
for sidewalk construction.

O.D.O.T. Type "A"
curb and gutter
(see O.D.O.T. Std.
Drwg. * 2077).

Crushed gravel base
Nominal compacted thickness 12"
(size, grading, and compaction
requirements to conform to
of Transportation Specification).

* All other construction details and specifications to conform to current ODOT Standard Specifications and to be approved by the Director of Public Works.

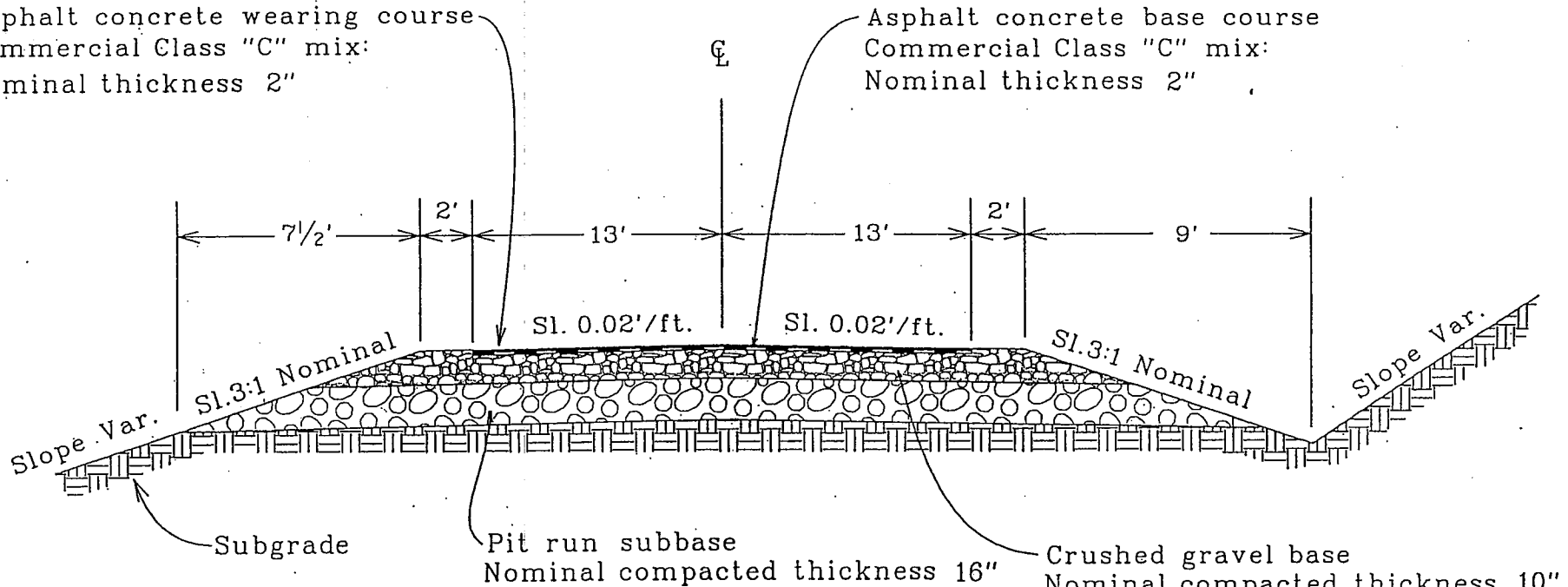
* Any changes to surfacing width or depths or variance from current Oregon Department of Transportation Standard Specifications must be approved by the Director of Public Works.

Umatilla Co. Rd. Dept.	
"A" Urban	
Drawn By: JG	Checked By: GR
Date: July 1997	Road Standard

"B" Industrial / Agricultural

Asphalt concrete wearing course
Commercial Class "C" mix:
Nominal thickness 2"

Asphalt concrete base course
Commercial Class "C" mix:
Nominal thickness 2"



* Note: To be used in new county road construction and in areas of County road improvements needed due to development.

* Culvert pipes to be installed in locations determined by the Director of Public Works. Materials & workmanship shall conform to current ODOT Standard Specifications

* All other construction details and specifications to conform to current ODOT Standard Specifications and to be approved by the Director of Public Works.

* Any changes to surfacing width or depths or variance from current Oregon Department of Transportation Standard Specifications must be approved by the Director of Public Works.

Crushed gravel base
Nominal compacted thickness 10"
(size, grading, and compaction requirements to conform to current Oregon Department of Transportation Specifications).

Umatilla Co. Rd. Dept.

"B"

Industrial / Agricultural

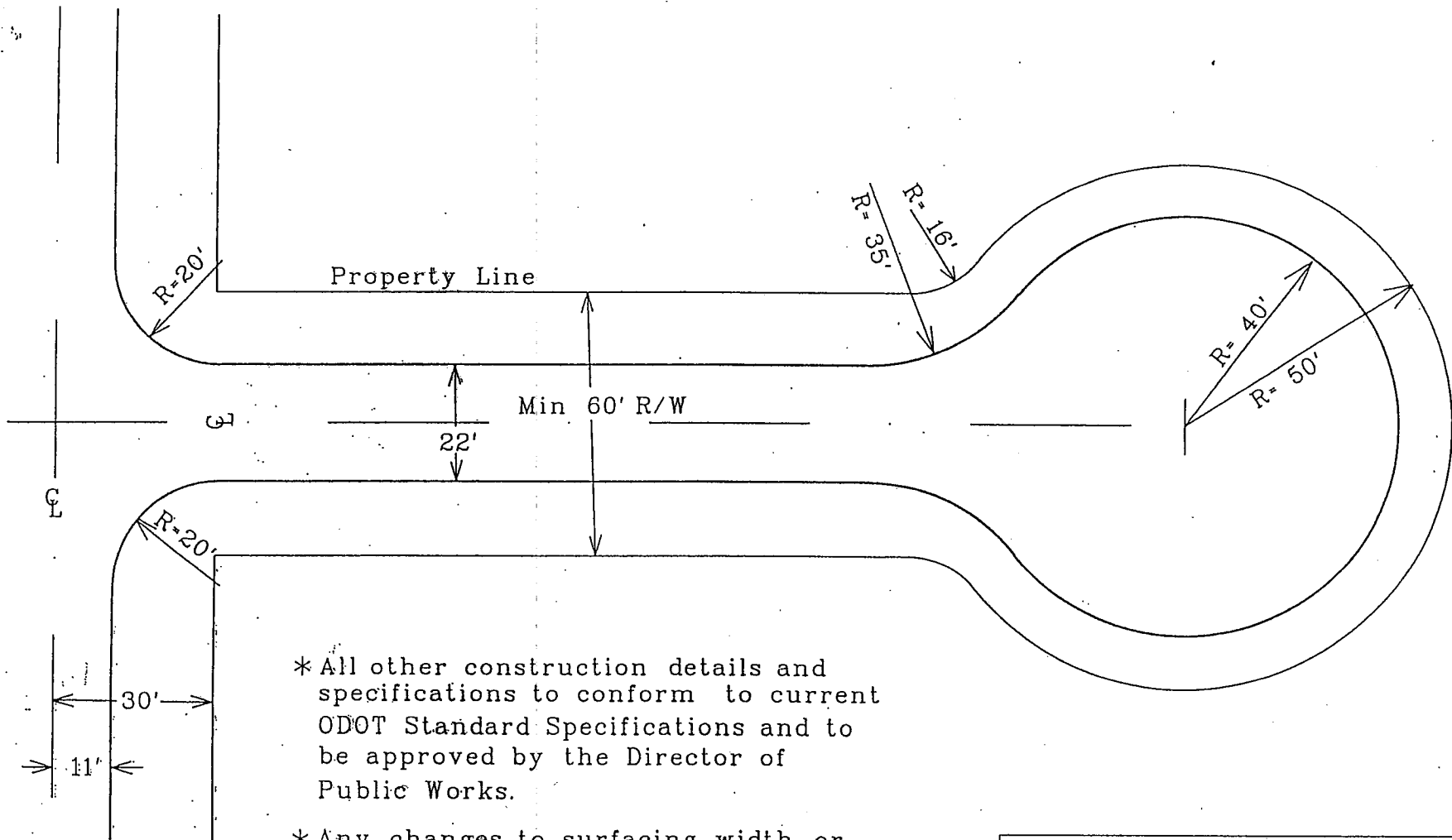
Drawn By: JG

Checked By: GR

Date: July 1997

Road Standard

"C" Cul-De-Sac



*All other construction details and specifications to conform to current ODOT Standard Specifications and to be approved by the Director of Public Works.

*Any changes to surfacing width or depths or variance from current Oregon Department of Transportation Standard Specifications must be approved by the Director of Public Works.

Umatilla Co. Rd. Dept.

"C" Cul-De-Sac

Drawn By: JG

Checked By: GR

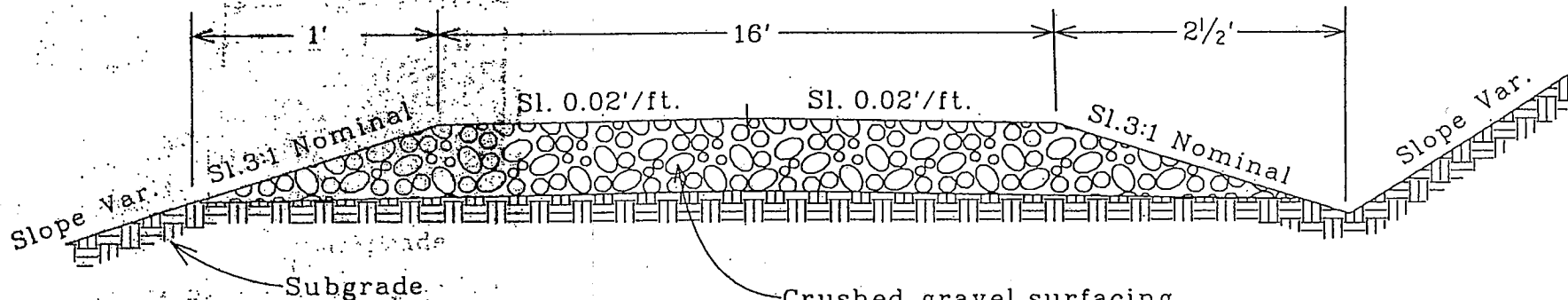
Date: July 1997

Road Standard

"P-1"

(Land Partition)

To be used in cases where additional Partitioning or development is not anticipated and access is to 3 or fewer parcels.



Crushed gravel surfacing
Nominal compacted thickness 4"
(size and grading requirements
to conform to current Oregon
Department of Transportation
Specifications).

- * Note: If Partition is within a City Urban Growth Boundary, City Standards should apply.
- * Culvert pipes to be installed in locations determined by the Director of Public Works. Materials & workmanship shall conform to current ODOT Standard Specifications
- * All other construction details and specifications to conform to current ODOT Standard Specifications and to be approved by the Director of Public Works.
- * Any changes to surfacing width or depths or variance from current Oregon Department of Transportation Standard Specifications must be approved by the Director of Public Works.

Umatilla Co. Rd. Dept.

"P-1"

Drawn By: JG

Checked By: GR

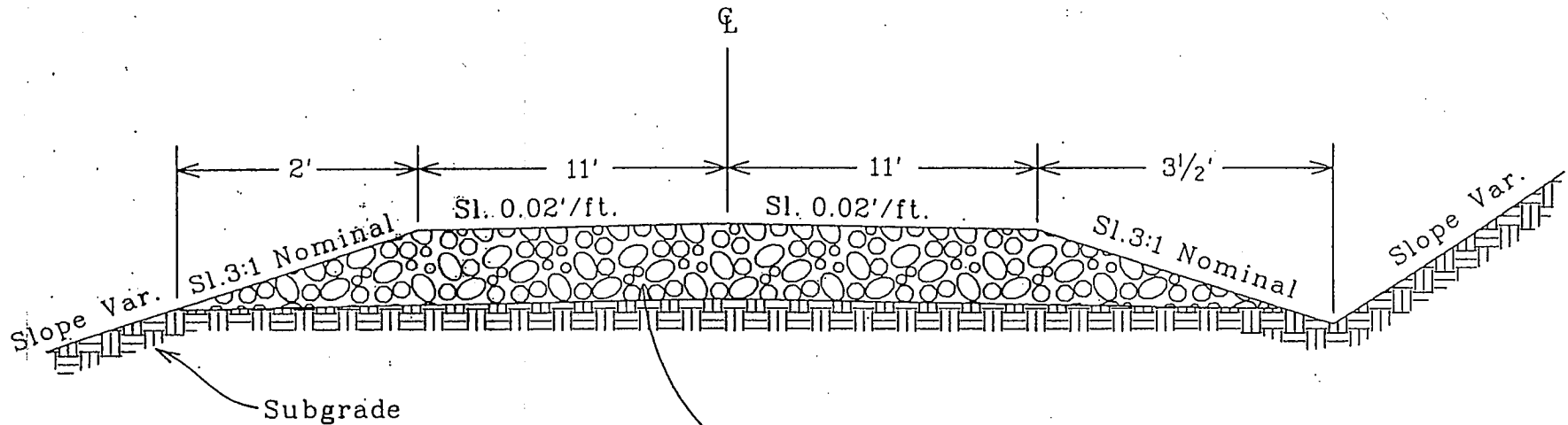
Date: July 1997

Road Standard

"P-2"

(Land Partition)

To be used in cases where future partitioning or development is anticipated.



- * Note: If Partition is within a City Urban Growth Boundary, City Standards should apply.
- * Culvert pipes to be installed in locations determined by the Director of Public Works. Materials & workmanship shall conform to current ODOT Standard Specifications
- * All other construction details and specifications to conform to current ODOT Standard Specifications and to be approved by the Director of Public Works.
- * Any changes to surfacing width or depths or variance from current Oregon Department of Transportation Standard Specifications must be approved by the Director of Public Works.

Crushed gravel surfacing
Nominal compacted thickness 8"
(size and grading requirements to conform to current Oregon Department of Transportation Specifications).

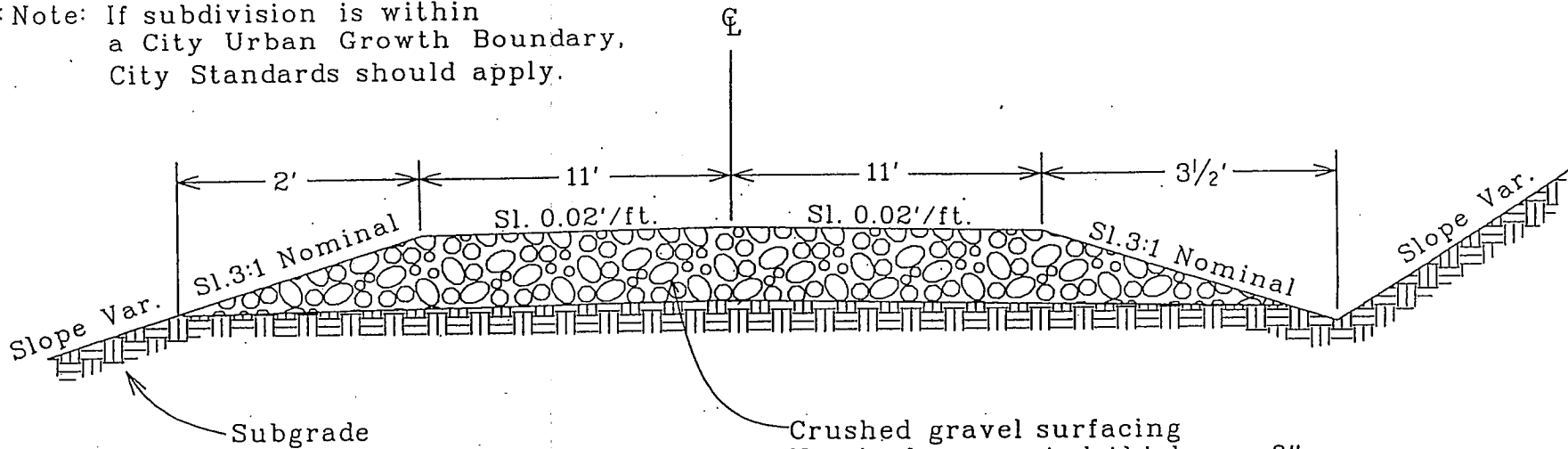
Umatilla Co. Rd. Dept.	
"P-2"	
Drawn By: JG	Checked By: GR
Date: July 1997	Road Standard

"S-1"

(Subdivision)

To be used in cases where access is
to 4 or more parcels.

*Note: If subdivision is within
a City Urban Growth Boundary,
City Standards should apply.



* Culvert pipes to be installed in locations
determined by the Director of Public Works.
Materials & workmanship shall conform
to current ODOT Standard Specifications

* All other construction details and
specifications to conform to current
ODOT Standard Specifications and to
be approved by the Director of
Public Works.

* Any changes to surfacing width or
depths or variance from current
Oregon Department of Transportation
Standard Specifications must be
approved by the Director of Public
Works.

Crushed gravel surfacing
Nominal compacted thickness 8"
(size and grading requirements
to conform to current Oregon
Department of Transportation
Specifications).

Umatilla Co. Rd. Dept.

"S-1"

Drawn By: JG

Checked By: GR

Date: July 1997

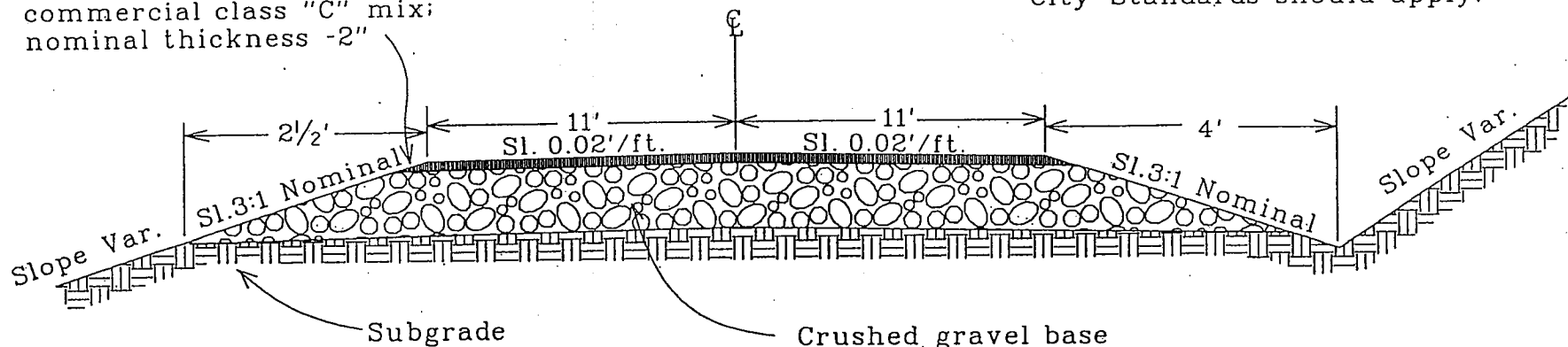
Road Standard

"S-2" (Subdivision)

To be used in cases where access
is to 4 or more Parcels.

Asphalt concrete wearing course
(or 3 course oil mat)
commercial class "C" mix;
nominal thickness -2"

* Note: If subdivision is within
a City Urban Growth Boundary,
City Standards should apply.



* Culvert pipes to be installed in locations
determined by the Director of Public Works.
Materials & workmanship shall conform
to current ODOT Standard Specifications.

* All other construction details and
specifications to conform to current
ODOT Standard Specifications and to
be approved by the Director of
Public Works.

* Any changes to surfacing width or
depths or variance from current
Oregon Department of Transportation
Standard Specifications must be
approved by the Director of Public
Works.

Crushed gravel base
Nominal compacted thickness 8"
(size and grading requirements
to conform to current Oregon
Department of Transportation
Specifications).

Umatilla Co. Rd. Dept.	
"S-2"	
Drawn By: JG	Checked By: GR
Date: July 1997	Road Standard